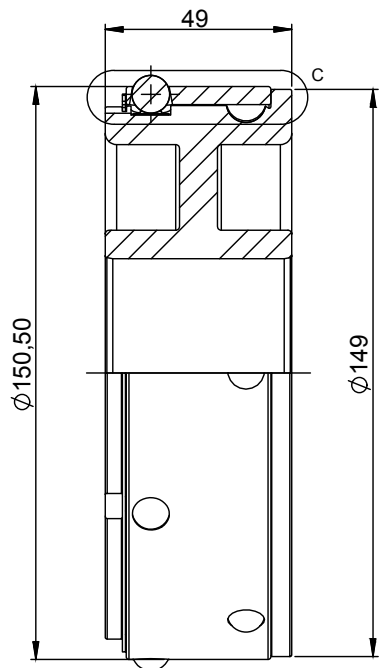
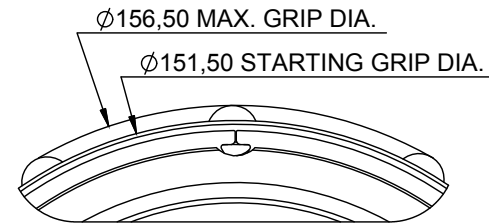
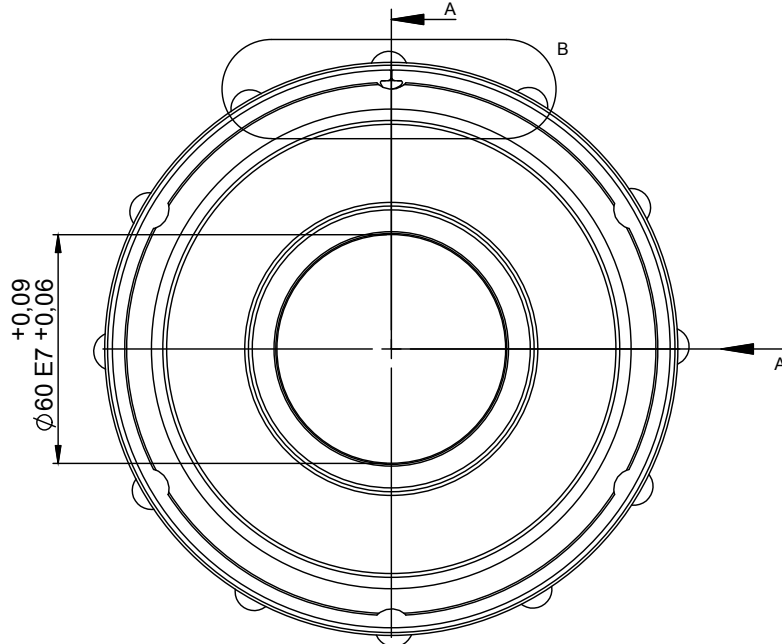


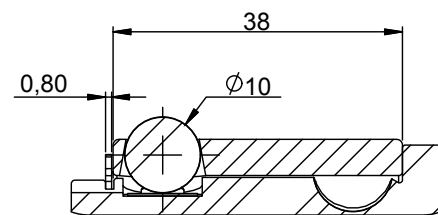
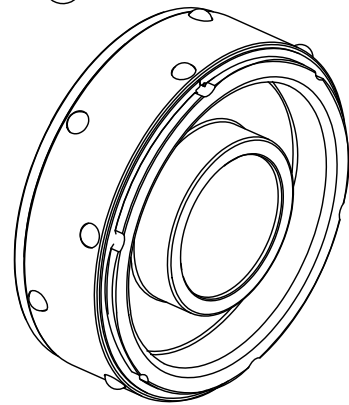
All technical information contained in this document is the exclusive property of EXTREME Converting and may neither be used nor disclosed without its prior written consent.



SECTION A-A  
SCALE 3 : 4



DETAIL B  
SCALE 1 : 1



DETAIL C  
SCALE 6 : 4

Tolerance Values					Drawn	G.Horton	17.02.2023	As per standart or specification: -----					
Dim. mm	0,5 up to 3	3 up to 6	6 up to 30	30 up to 400	Approval	T.Kirbiz	17.02.2023	As per specification: -----					
	Linear	±0,03	±0,05	±0,05	±0,10	Material:	Steel	First Edition:	A				
	Radi Cham ±0,25	Angel ±0°00' 30'			Heat treatment:	-----	Weight:	3328.28 g	Project:		File Num.:		
					Surface Protection:	-----	Area:	14.1616 dm <sup>2</sup>	Operation Name:		Operation No:		
					EXTREME		OFFER DRAWING		Product Name:		Department:		
							General Tolerances:		6" Friction Ring		R&D		
Rev.	Modification	Date	Drawn					Product No:	6200101	Rev:	A	Scale:	1/1

REVISIONS